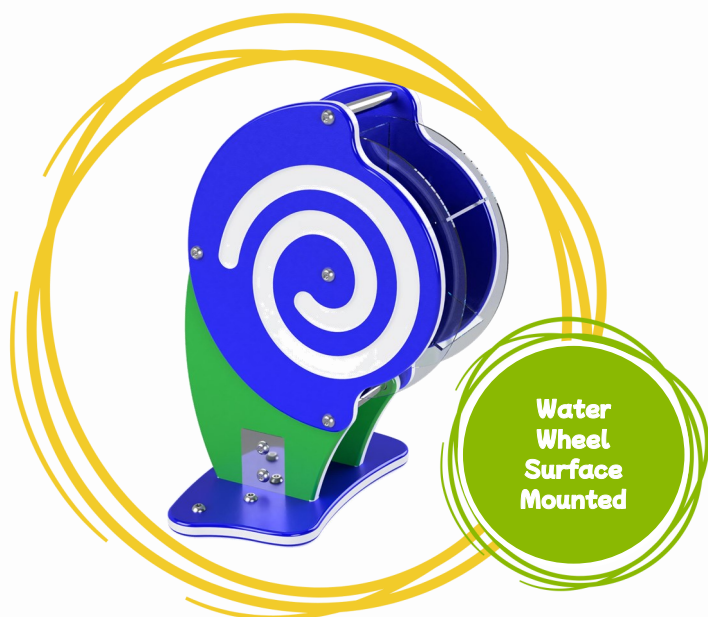


### Product Code

285mm W x 410mm H - 100-10-009

Material - High Density Polyethylene  
(HDPE)

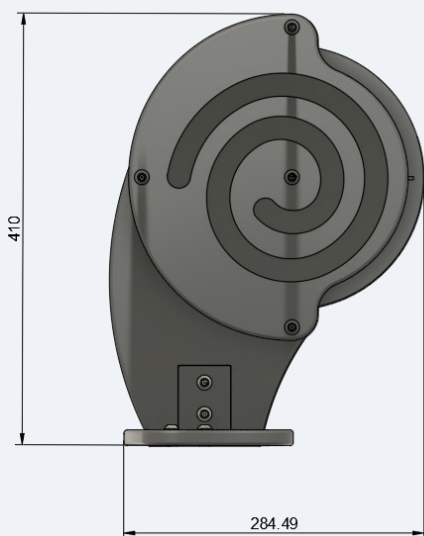
Designed to British and European  
Standards - BS EN 1176



### Development Domain

- Cognitive
- Language
- Physical
- Social & Emotional

Please contact us if you require further information about child development domains



Age Range = 3+

Approx. Weight

100-10-009 = 7kg

Note - Installation method is for guideline purposes only.

